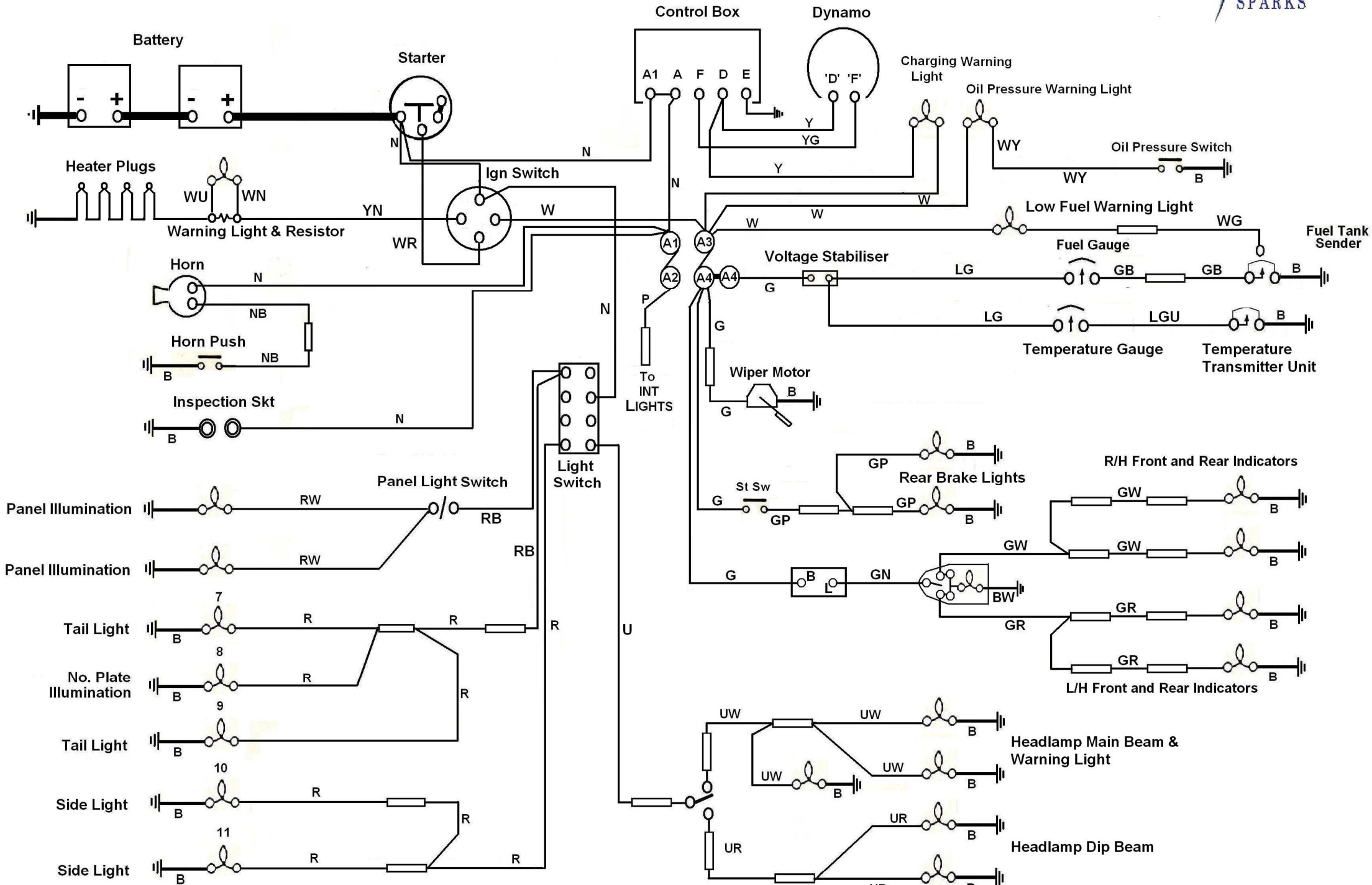


Landrover Series 2/2A Diesel. Chassis Suffix 'D' - on.

LR 213



Landrover Series 2/2A Diesel. Chassis Suffix 'D' - on.

LR 213

Converted to Alternator

