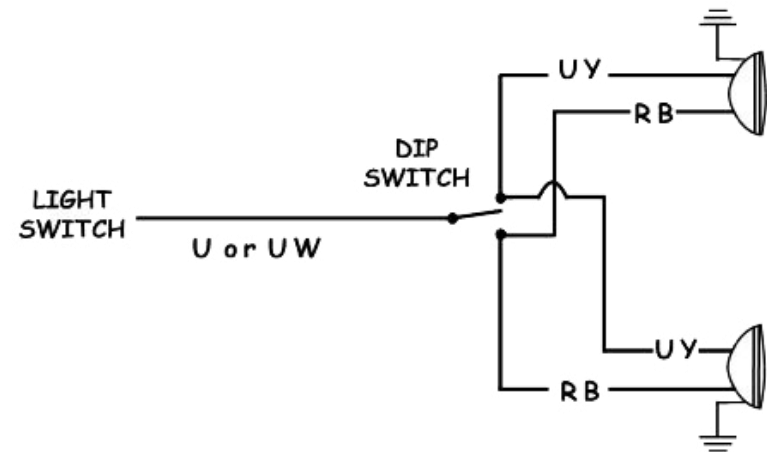
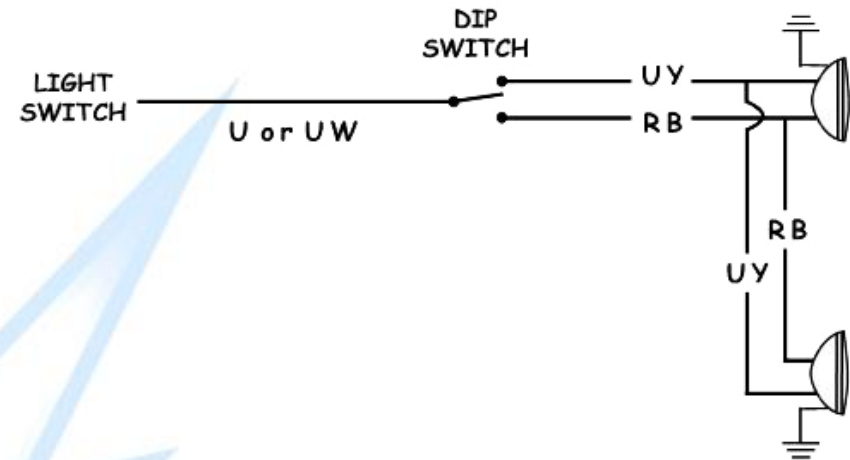


Although two diagrams are shown, they both do exactly the same job. It purely shows the two routes the wires may take to the second Headlamp. On some vehicles the feed to the Dip Switch may pass through a fuse, in which case it is usually a UW wire one side, and a U wire the other.



Standard Cable Colour Abbreviations Used as follows:

B = Black	N = Brown	R = Red	W = White
G = Green	O = Orange	S = Slate	Y = Yellow
K = Pink	P = Purple	U = Blue	LG = Lt Green

WIRING FOR TWIN FILAMENT HEADLAMPS

